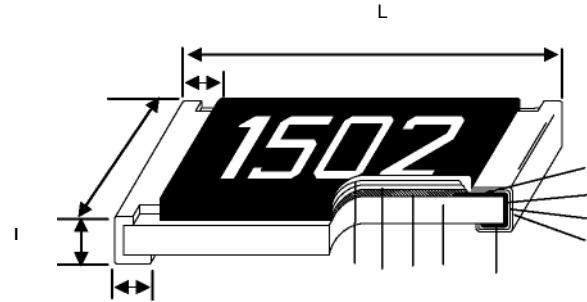


Anti-Corrosive Thin Film Precision Chip Resistor PR Series

Construction



1	Alumina Substrate	4	Edge Electrode (NiCr)	7	Resistor Layer (NiCr)
2	Bottom Electrode (Ag)	5	Barrier Layer (Ni)	8	Passivation
3	Top Electrode (Ag-Pd)	6	External Electrode (Sn)	9	Overcoat

Features

- Long term life stability and demonstrated the Anti-Corrosion claims characterized by Ta₂N - Special passivated NiCr film for Anti-Acid and Anti-Damp
- Tight tolerance down to $\pm 0.1\%$
- Extremely low TCR down to ± 15 PPM/ $^{\circ}$ C -
- Wide resistance range 10ohm ~ 1Mega ohm

Applications

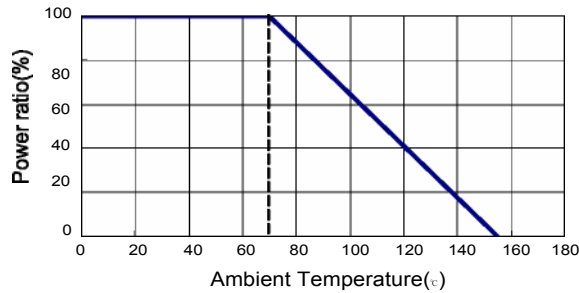
- Automotive
- High-end Computer
- Industrial Equipment
- Automatic Equipment Controller
- Medical Equipment
- Telecommunication Device -
- High-end Multimedia Electronics
- Outdoor Electronic Applications

Dimensions

Unit: mm

Type	Size (Inch)	L	W	T	D1	D2	Weight (g) (1000pcs)
PR02	0402	1.00 \pm 0.05	0.50 \pm 0.05	0.30 \pm 0.05	0.20 \pm 0.10	0.20 \pm 0.10	0.55
PR03	0603	1.55 \pm 0.10	0.80 \pm 0.10	0.45 \pm 0.10	0.30 \pm 0.20	0.30 \pm 0.20	1.85
PR05	0805	2.00 \pm 0.15	1.25 \pm 0.15	0.55 \pm 0.10	0.30 \pm 0.20	0.40 \pm 0.25	4.76
PR06	1206	3.05 \pm 0.15	1.55 \pm 0.15	0.55 \pm 0.10	0.42 \pm 0.20	0.35 \pm 0.25	9.11
PR10	2010	4.90 \pm 0.15	2.40 \pm 0.15	0.55 \pm 0.10	0.60 \pm 0.30	0.50 \pm 0.25	23.82
PR12	2512	6.30 \pm 0.15	3.10 \pm 0.15	0.55 \pm 0.10	0.60 \pm 0.30	0.50 \pm 0.25	38.46

Derating Curve



Part Numbering

PR	03	D	T	D	1000	N
Product Type	Dimensions	Resistance Tolerance	Packaging Code	TCR (PPM/ $^{\circ}$ C)	Resistance	Marking Code
	02: 0402 03: 0603 05: 0805 06: 1206 10: 2010 12: 2512	B: $\pm 0.1\%$ C: $\pm 0.25\%$ D: $\pm 0.5\%$	T: Taping Reel B: Bulk	N: ± 15 C: ± 25 D: ± 50	1000: 100 Ω 2201: 2200 Ω 1001: 1K Ω 1004: 1M Ω	: Standard Marking for E96 / E24 N: No Marking

■ Standard Electrical Specifications

Item Type	Power Rating at 70°C	Operating Temp. Range	Max. Operating Voltage	Max. Overload Voltage	Resistance Range			TCR (PPM/°C)
					±0.1%	±0.25%	±0.5%	
PR02 (0402)	1/16W	-55 ~ +155°C	25V	50V	49.90 - 12KO			±15
					250 - 25KO			±25 ±50
PR03 (0603)	1/16W	-55 ~ +155°C	50V	100V	250 - 100KO			±15
					250 - 332KO			±25 ±50
PR05 (0805)	1/10W	-55 ~ +155°C	100V	200V	250 - 200KO			±15
					100 - 800KO			±25 ±50
PR06 (1206)	1/8W	-55 ~ +155°C	150V	300V	250 - 500KO			±15
					100 - 1MO			±25 ±50
PR10 (2010)	1/4W	-55 ~ +155°C	150V	300V	250 - 500KO			±15
					100 - 1MO			±25 ±50
PR12 (2512)	1/2W	-55 ~ +155°C	150V	300V	250 - 500KO			±15
					100 - 1MO			±25 ±50

Operating Voltage= $\sqrt{P \cdot R}$ or Max. operating voltage listed above, whichever is lower.

Overload Voltage= $2.5 \cdot \sqrt{P \cdot R}$ or Max. overload voltage listed above, whichever is lower.

■ Environmental Characteristics

Item	Requirement		Test Method
	Size 0603 / 0805 / 1206 / 2010 / 2512	Size 0402	
Short Time Overload	<±0.02%	<±0.1%	RCWV*2.5 or Max. overload voltage for 2 seconds
Endurance	< ±0.05%	<±0.25%	70.2°C, Max. working voltage for 1000 hrs with 1.5 hrs "ON" and 0.5 hrs "OFF"
Damp Heat with Load	< ±0.05%	< ±0.5%	40.2°C, 90~95% R.H. Max. working voltage for 1000 hrs with 1.5 hrs "ON" and 0.5 hrs "OFF"
Solderability	95% min. coverage		245.5°C for 3 seconds
Resistance to Soldering Heat	<±0.02%	<±0.1%	260±5°C for 10 seconds
Thermal Shock	<±0.02%	<±0.1%	-55°C~150°C, 100 cycles

■ Reference Standards: MIL-STD-202, JIS-C 5201-1

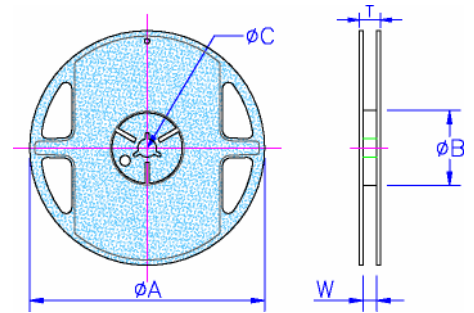
■ Storage Temperature: 25±3°C; Humidity < 80%RH

Packaging

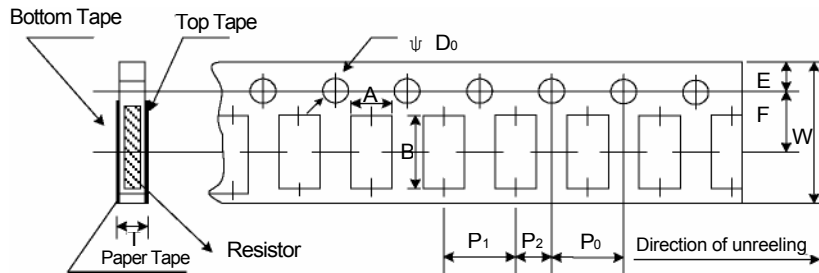
Packaging Quantity & Reel Specifications

Unit: mm

Type	ΦA	ΦB	ΦC	W	T	Paper Tape (EA)	Embossed Plastic Tape (EA)
PR02	178.0 ± 1.0	60.0 + 1.0	13.5 ± 0.7	9.5 ± 1.0	11.5 ± 1.0	10,000	-
PR03	178.0 ± 1.0	60.0 + 1.0	13.5 ± 0.7	9.5 ± 1.0	11.5 ± 1.0	5,000	-
PR05	178.0 ± 1.0	60.0 + 1.0	13.5 ± 0.7	9.5 ± 1.0	11.5 ± 1.0	5,000	-
PR06	178.0 ± 1.0	60.0 + 1.0	13.5 ± 0.7	9.5 ± 1.0	11.5 ± 1.0	5,000	-
PR10	178.0 ± 1.0	60.0 + 1.0	13.5 ± 0.7	13.5 ± 1.0	15.5 ± 1.0	-	4,000
PR12	178.0 ± 1.0	60.0 + 1.0	13.5 ± 0.7	13.5 ± 1.0	15.5 ± 1.0	-	4,000



Paper Tape Specifications

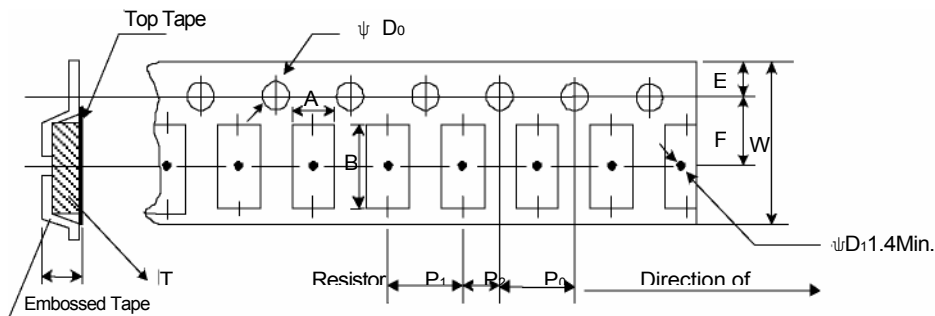


Unit: mm

Type	A	B	W	E	F	P ₀	P ₁	P ₂	ΦD ₀	T
PR02	0.70±0.05	1.16±0.05	8.00±0.10	1.75±0.05	3.5±0.05	4.00±0.10	2.00±0.05	2.00±0.05	1.55±0.05	0.40±0.03
PR03	1.10±0.05	1.90±0.05	8.00±0.10	1.75±0.05	3.5±0.05	4.00±0.10	4.00±0.10	2.00±0.05	1.55±0.05	0.60±0.03
PR05	1.60±0.05	2.37±0.05	8.00±0.10	1.75±0.05	3.5±0.05	4.00±0.10	4.00±0.10	2.00±0.05	1.55±0.05	0.75±0.05
PR06	2.00±0.05	3.55±0.05	8.00±0.10	1.75±0.05	3.5±0.05	4.00±0.10	4.00±0.10	2.00±0.05	1.55±0.05	0.75±0.05

Embossed Plastic Tape Specifications

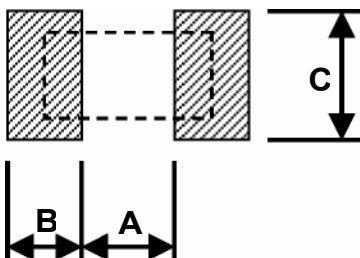
Unit: mm



Type	A	B	W	E	F	P ₀	P ₁	P ₂	ΦD ₀	T
PR10	2.85±0.10	5.45±0.10	12.0±0.10	1.75±0.10	5.5±0.05	4.00±0.05	4.00±0.10	2.00±0.05	1.50±0.10	1.00±0.20
PR12	3.40±0.10	6.65±0.10	12.0±0.10	1.75±0.10	5.5±0.05	4.00±0.05	4.00±0.10	2.00±0.05	1.50±0.10	1.00±0.20

Recommend Land Pattern

Unit: mm



Type	A	B	C
PR02	0.50	0.50	0.60±0.2
PR03	0.80	1.00	0.90±0.2
PR05	1.00	1.00	1.35±0.2
PR06	2.00	1.15	1.70±0.2
PR10	3.60	1.40	2.50±0.2
PR12	4.90	1.60	3.10±0.2